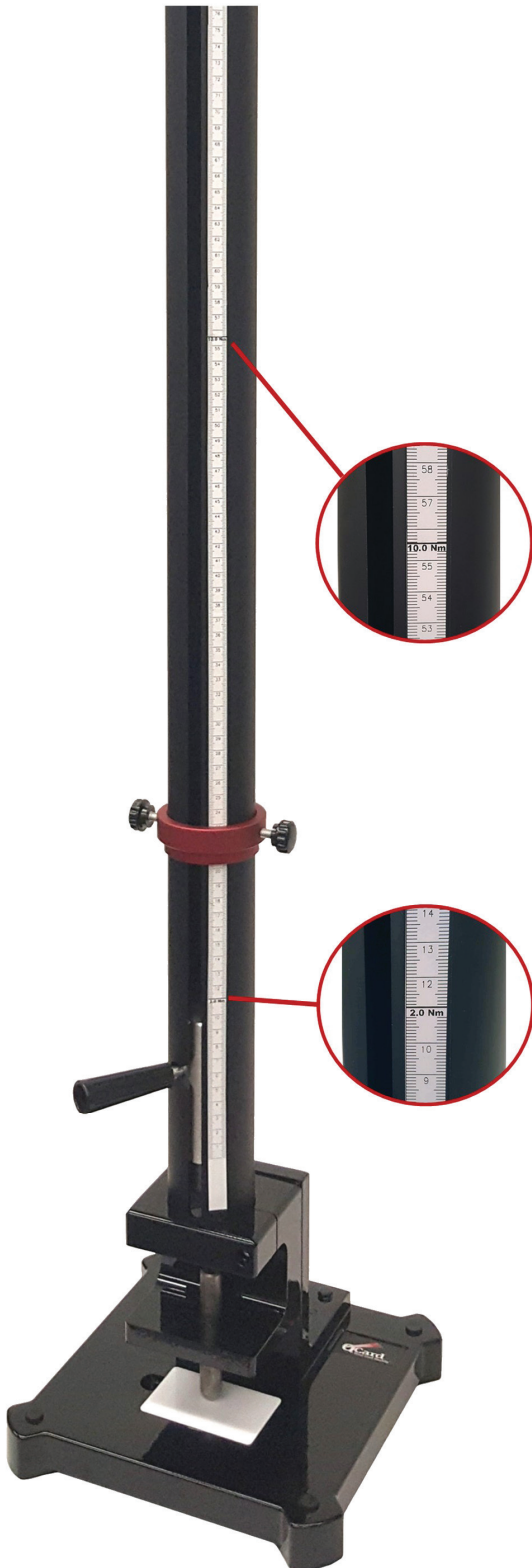


Resistance to Impact Test Fixture



Q-Card's Resistance to Impact fixture is designed to determine a card's resistance to impact per ANSI, Mastercard® CQM and ISO standards.

The base of the fixture is made of steel with a durable powder coated finish. It has splayed feet for added stability and also has holes to securely mount to a work surface if desired. The calibrated 18N impact weight, cylindrical dart and anvil are made of heat-treated tool steel to provide years of rigorous testing and trouble-free service.

The fixture has an adjustable collar and an easy to read scale for fast, repeatable drop distances. Both the collar and drop tube are anodized aluminum for durability. The tube has a rest slot for the impact weight for storage when not in use. The scale is marked in centimeters (0 cm to 122 cm) and conveniently marked with the 2.0 Nm and 10.0 Nm highlighted drop distances required specifically for card industry tests outlined below.

The fixture is designed to perform resistance to impact tests according to the following standards:

- ANSI INCITS 322 - Impact Resistance
- ISO/IEC 7811-1 - Impact Resistance
- MasterCard CQM - Resistance to Impact

Ordering Details

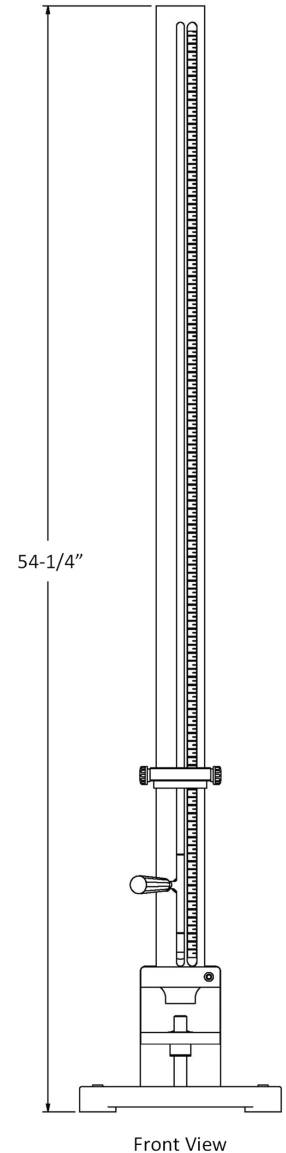
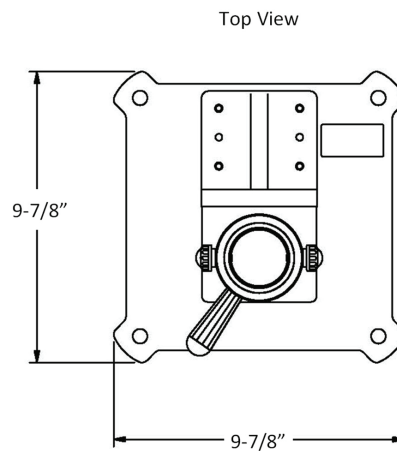
Part #	Description
906904	Resistance to Impact Fixture

Specifications

Weight:

- 40 pounds

Dimensions



301 Reagan Street
Sunbury PA 17801 USA
Phone 570.286.7447
Fax 570.286.2649
www.q-card.com

Q-Card is



ISO 9001
Compliant

800-717-8007